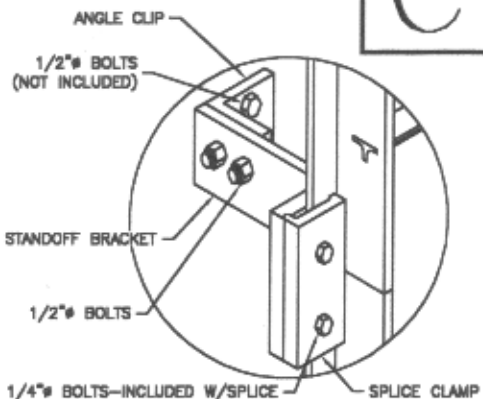
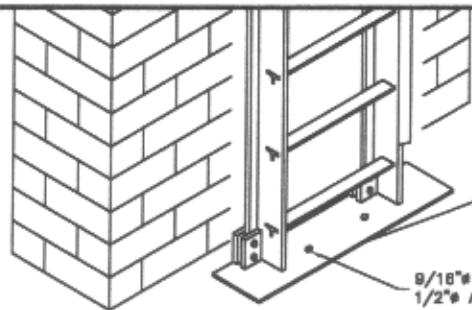
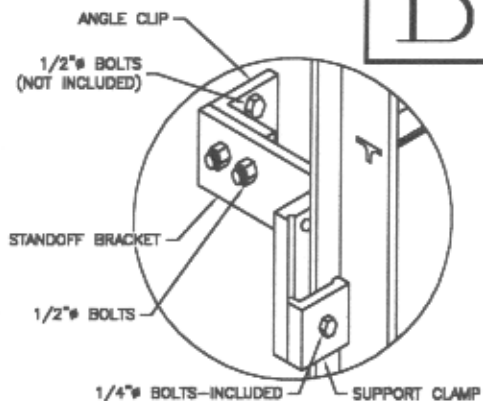


STANDOFF-SPLICE CLAMP



INTERMEDIATE STANDOFF CLAMP

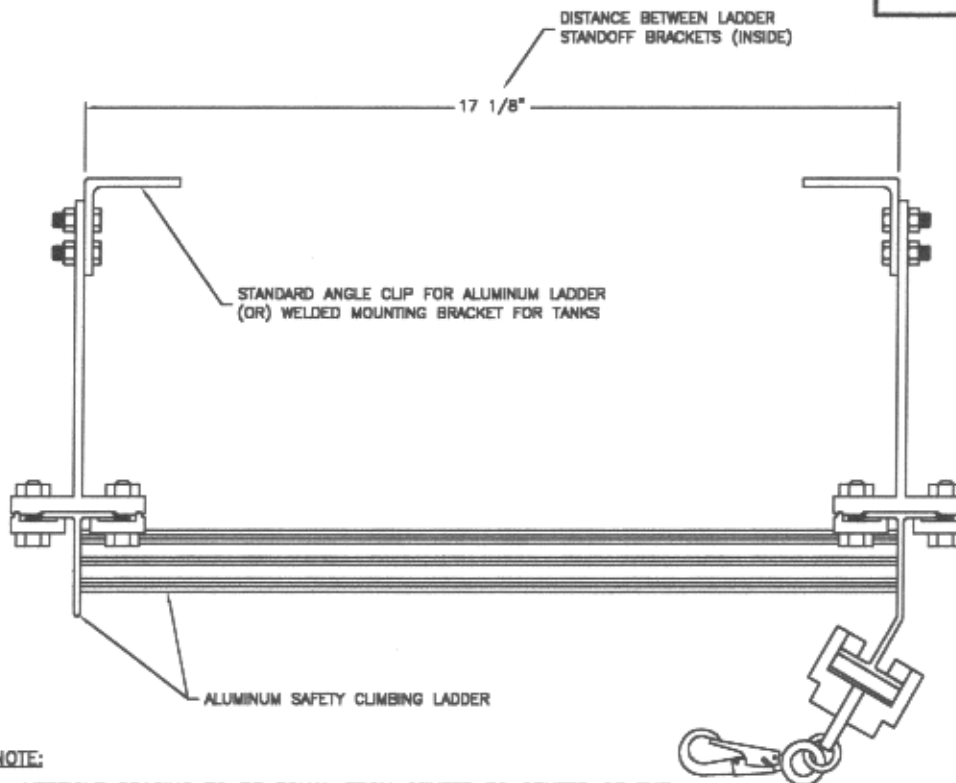


**FLOOR MOUNT
FLM-2**

FLOOR MOUNT FLM-2

9/16" HOLES PROVIDED FOR
1/2" ANCHOR BOLTS—NOT INCLUDED

**ALUMINUM CLIMBING LADDER ASSEMBLY
(DISTANCE BETWEEN STANDOFFS)**



NOTE:

VERTICLE SPACING TO BE EQUAL FROM CENTER TO CENTER OF THE LADDER STANDOFFS AND ALSO FROM LADDER STANDOFF TO LADDER SPLICE. (SEE THE LADDER DETAIL ASSEMBLY IN THE UPPER LEFT CORNER)

CLIMBER'S BUDDY/SUR-LOC, INC.
P.O. BOX 780 FREMONT, IN 46737 - (219) 485-4085

THIS DRAWING IS THE PROPERTY OF CLIMBER'S BUDDY-SUR LOC, INC. IT IS NOT TO BE REPRODUCED, COPIED, OR TRACED IN WHOLE, OR IN PART WITHOUT OUR WRITTEN CONSENT

STANDARD
DRAWING

SCALE
N.T.S.

DWN D. REYES
APPD D. SWAGER

TITLE
**ALUMINUM SAFETY LADDER
INSTALLATION DRAWING**

DATE
11/15/01

DRAWING NUMBER
S004-01-01LB