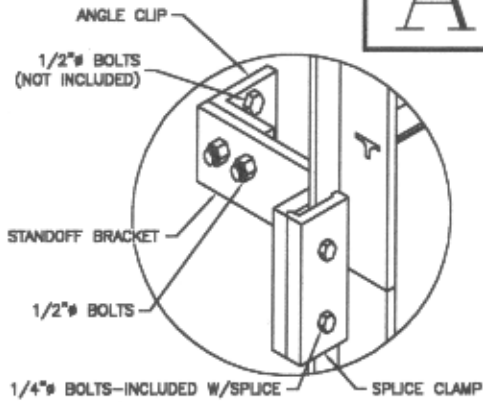
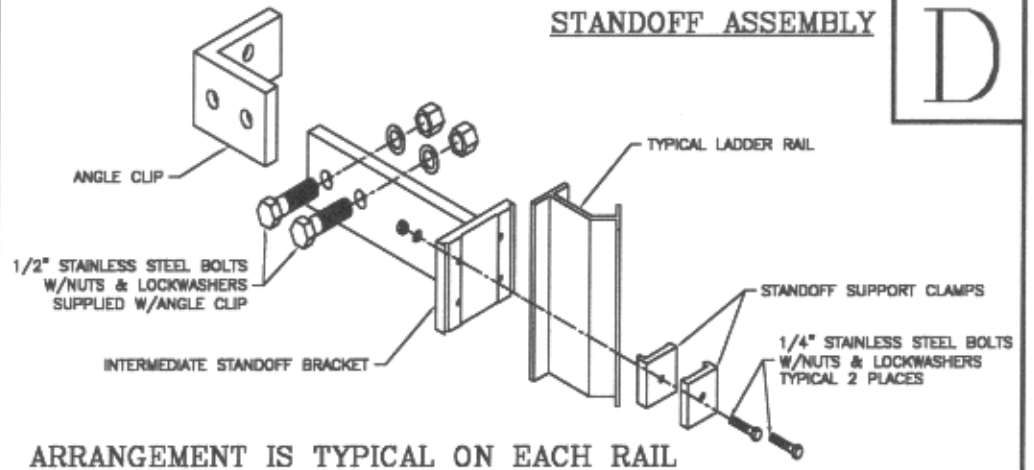


STANDOFF-SPLICE CLAMP



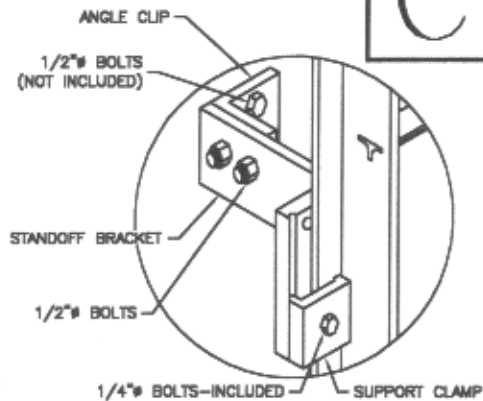
A

STANDOFF ASSEMBLY



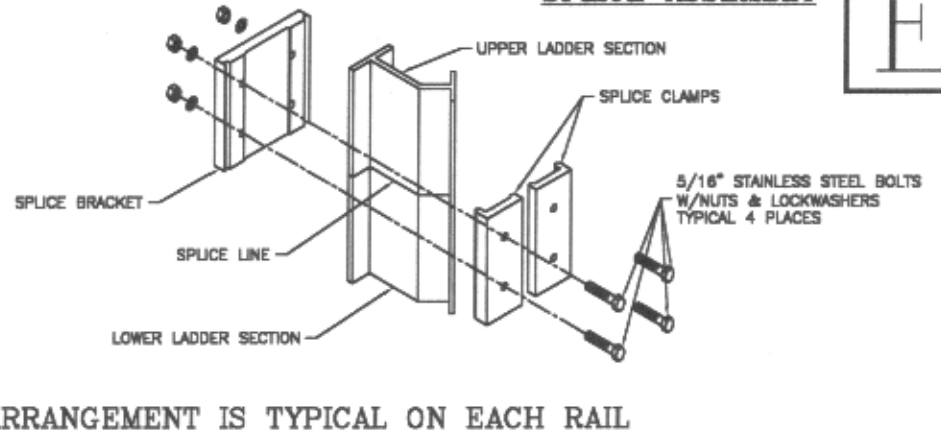
D

INTERMEDIATE STANDOFF CLAMP

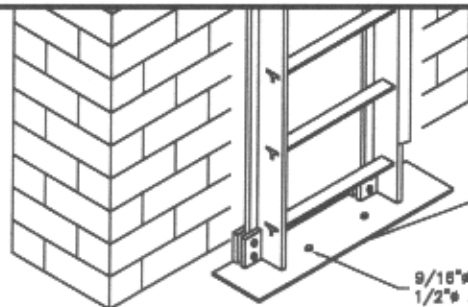


C

SPLICE ASSEMBLY



E



FLOOR MOUNT FLM-2

B

CLIMBER'S BUDDY/SUR-LOC, INC.
P.O. BOX 750 FREMONT, IN 46737 - (317) 485-4085

THIS DRAWING IS THE PROPERTY OF CLIMBER'S BUDDY-SUR LOC, INC. IT IS NOT TO BE REPRODUCED, COPIED, OR TRACED IN WHOLE, OR IN PART WITHOUT OUR WRITTEN CONSENT

STANDARD DRAWING

SCALE N.T.S.

DWG D. REYES
APP'D D. SWAGER

TITLE **ALUMINUM SAFETY LADDER ASSEMBLY & COMPONENTS**

DATE 03/02/00

DRAWING NUMBER S004-00-01L