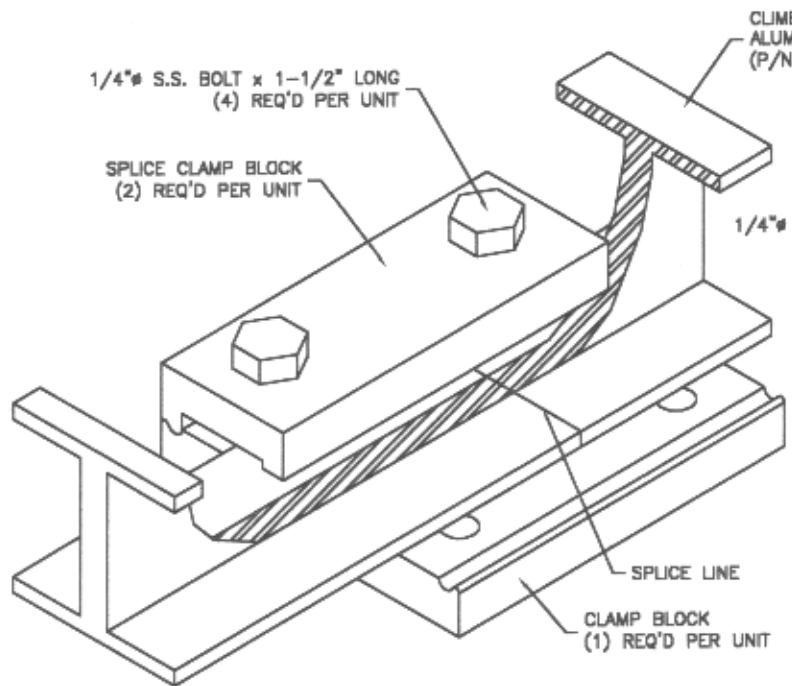
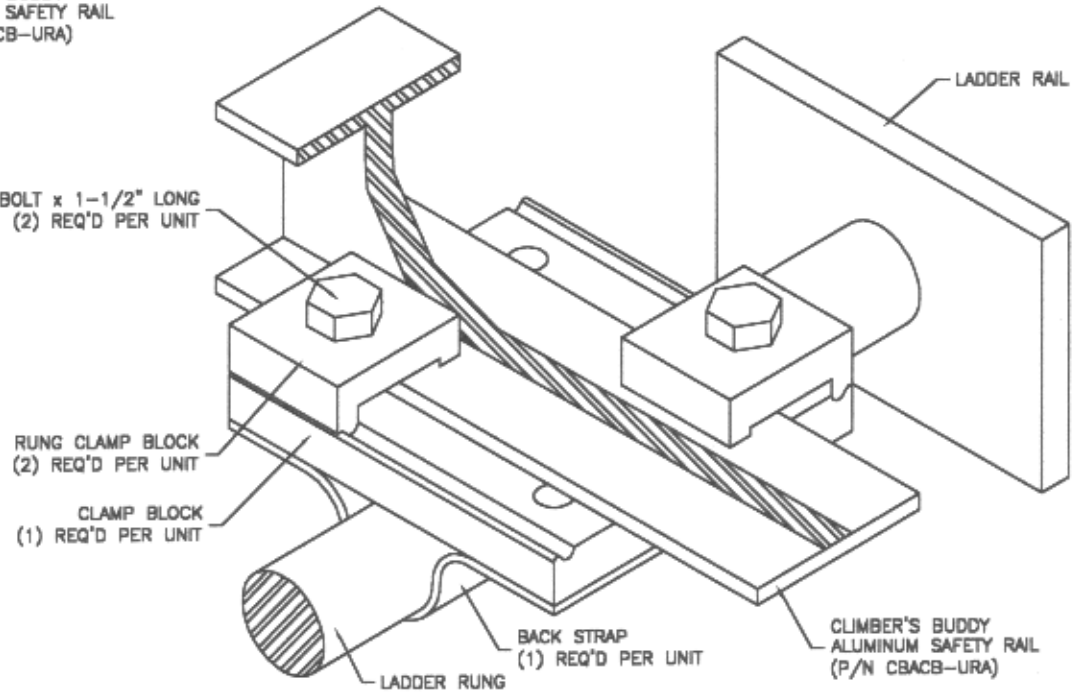


LET	REVISION	DATE	APP'D
-	INITIAL RELEASE	06/28/80	B.S.
A	REDRAWN IN AUTOCAD R13	01/31/98	B.S.



SPLICE CLAMP ASSEMBLY
(P/N CBACB-S3)



RUNG CLAMP ASSEMBLY
(P/N CBACB-RC)

STAMP	CLIMBER'S BUDDY/SUR-LOC, INC. P.O. BOX 790 FRENCHT, IN 46737 - (219) 485-4088		
	THIS DRAWING IS THE PROPERTY OF CLIMBER'S BUDDY-SUR LOC, INC. IT IS NOT TO BE REPRODUCED, COPIED, OR TRACED IN WHOLE, OR IN PART WITHOUT OUR WRITTEN CONSENT		
	TYPICAL ASSEMBLIES	SCALE FULL	DWN APP'D J. NEFF
	ALUMINUM SAFETY RAIL		
SIGNED:	DATE	DRAWING NUMBER	
	05/18/00	S048-00-1LM	