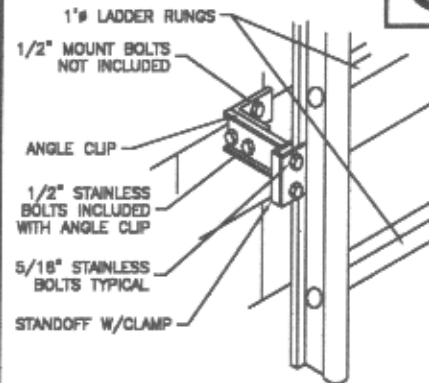
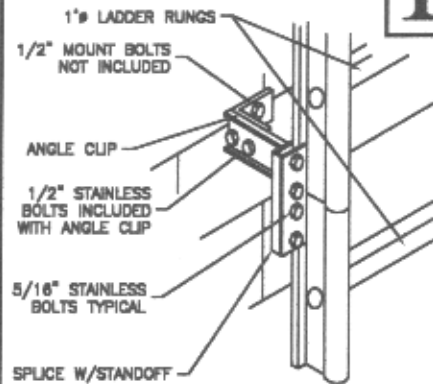


**INTERMEDIATE
STANDOFF CLAMP**

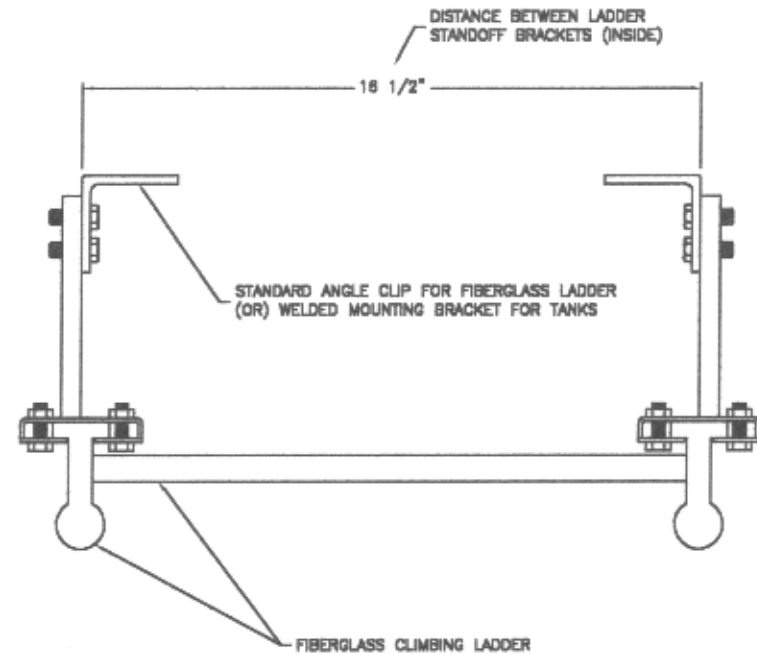


**SPLICE CLAMP
W/ STANDOFF**



C

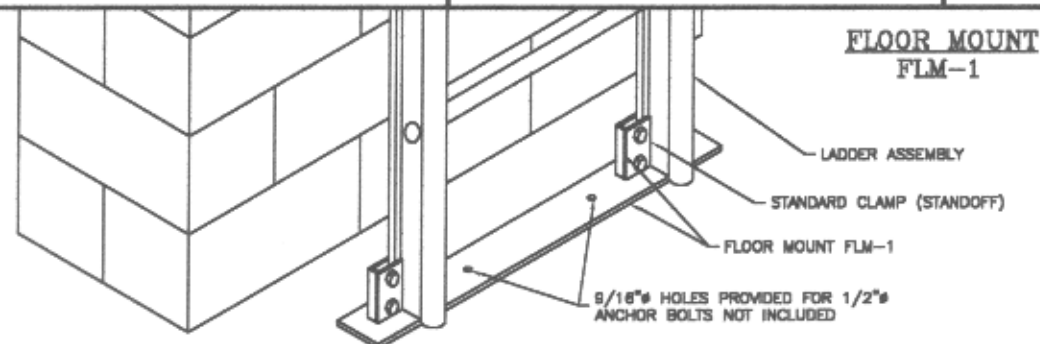
**FIBERGLASS CLIMBING LADDER ASSEMBLY
(DISTANCE BETWEEN STANDOFFS)**



NOTE:

VERTICLE SPACING TO BE EQUAL FROM CENTER TO CENTER OF THE LADDER STANDOFFS AND ALSO FROM LADDER STANDOFF TO LADDER SPLICE. (SEE THE LADDER DETAIL ASSEMBLY IN THE UPPER LEFT CORNER)

D



**FLOOR MOUNT
FLM-1**

A

CLIMBER'S BUDDY/SUR-LOC, INC.
P.O. BOX 750 FREMONT, IN 46737 - (219) 486-1085

THIS DRAWING IS THE PROPERTY OF CLIMBER'S BUDDY-SUR LOC, INC. IT IS NOT TO BE REPRODUCED, COPIED, OR TRACED IN WHOLE, OR IN PART WITHOUT OUR WRITTEN CONSENT

STANDARD DRAWING	SCALE NONE	DWN D. REYES
		APP'D T. SWAGER

TITLE **FIBERGLASS LADDER
INSTALLATION DRAWING**

DATE 11/19/01	DRAWING NUMBER S007-01-01LB
---------------	-----------------------------