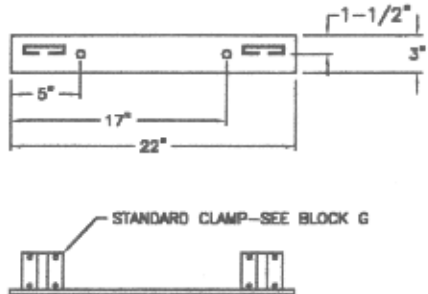


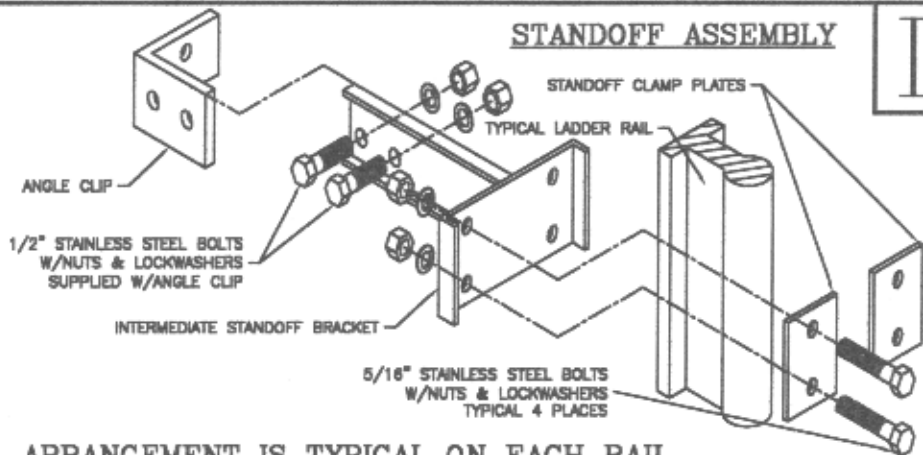
**FLOOR MOUNT  
FLM-1**

**B**



**STANDOFF ASSEMBLY**

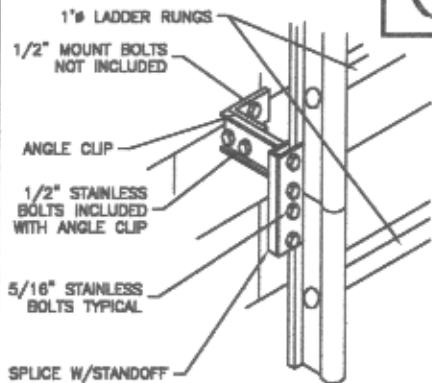
**D**



ARRANGEMENT IS TYPICAL ON EACH RAIL

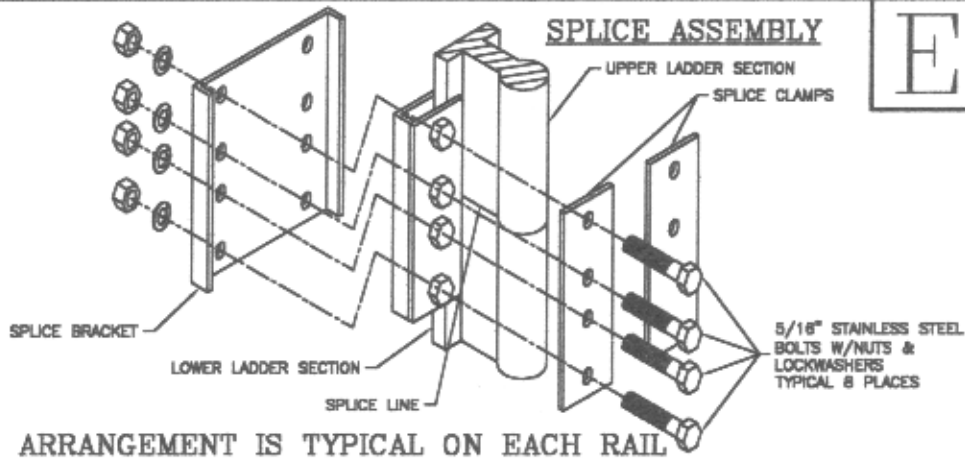
**SPLICE CLAMP  
W/ STANDOFF**

**C**

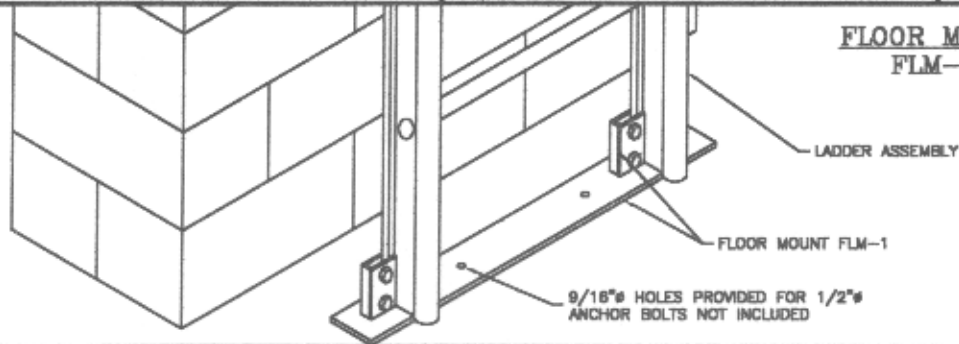


**SPLICE ASSEMBLY**

**E**



ARRANGEMENT IS TYPICAL ON EACH RAIL



**FLOOR MOUNT  
FLM-1**

**A**

**CLIMBER'S BUDDY/SUR-LOC, INC.**  
P.O. BOX 780 FREMONT, IN 46737 - (219) 486-1088

THIS DRAWING IS THE PROPERTY OF CLIMBER'S BUDDY-SUR LOC, INC.  
IT IS NOT TO BE REPRODUCED, COPIED, OR TRACED IN WHOLE, OR  
IN PART WITHOUT OUR WRITTEN CONSENT

STANDARD  
DRAWING

SCALE  
N.T.S.

DRN D. REYES  
APPD D. SWAGER

TITLE  
**FIBERGLASS LADDER  
ASSEMBLY & COMPONENTS**

DATE  
03/07/00

DRAWING NUMBER  
S005-00-01L