

## **MANUAL FOR INSTALLATION, USE AND MAINTENANCE OF A SUR-LOC ALUMINUM SAFETY RAIL DEVICE**

*This manual is intended to be used as part of an  
employee training program as required by OSHA.*

**WARNING:** *These instructions must be provided to all users, climbers and rescuers. Please read these instructions carefully and completely before using this product. The users of this equipment must read and understand ALL of these instructions prior to use of this equipment. When used as instructed, the Sur-Loc aluminum safety rail device will reduce the user's risk of injury from potentially hazardous falls. Use of this product without reading, understanding and following the instructions may result in serious injury or death. Follow the manufacturer's instructions for all other safety equipment used in conjunction with this Sur-Loc aluminum safety rail device. Follow these instructions for proper use, inspection, and maintenance of this equipment. This product is intended to be used as part of a complete Sur-Loc Climber's Buddy ladder safety system. It is the responsibility of the user and the user's management to be certain the user is thoroughly trained in and complies with the proper installation, operation and limitations of this product as well as careful inspection, maintenance and storage of the product before and after use. Training and instruction review should be repeated at regular intervals by the user and the user's management. The buyers and users of this product assume all responsibilities for safety and use not in accordance with these instructions. It may be a violation of federal, state or local laws to use this product in a manner inconsistent with its labeling. Alterations, substitutions, or misuse of this product, or failure to follow instructions may result in serious injury or death.*

**IMPORTANT:** *If you have questions on the application, use or maintenance of this equipment contact Sur-Loc safety products.*

**IMPORTANT:** *Before using this equipment record the product identification information from the I.D. label in the inspection and maintenance log in section 8.0 of this manual.*

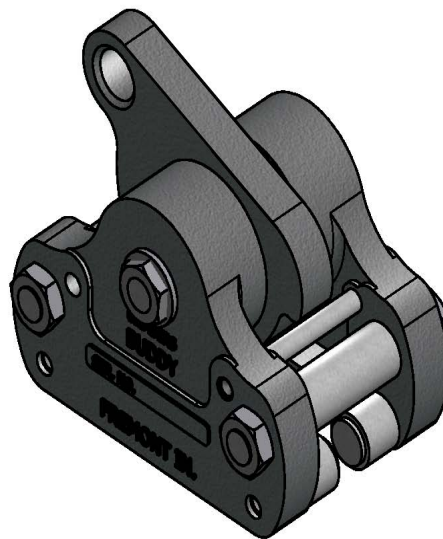
### **1.0 APPLICATIONS**

**1.1 PURPOSE:** The Sur-Loc aluminum safety rail system will arrest the fall of personnel while climbing a fixed Sur-Loc safety ladder or a fixed Sur-Loc safety rail adequately attached to a fixed ladder. The aluminum safety rail device is not intended to be used for material handling.

**NOTE:** *The Installer and user must inspect and ensure the ladder and safety rail meets or exceeds all applicable local, state, and federal standards, including OSHA prior to using the safety system.*

**1.2 LIMITATIONS:** The Sur-Loc aluminum safety rail device must be used with a Sur-Loc safety system ladder or Sur-Loc safety system rail on a fixed ladder.

The Sur-Loc safety device must be directly connected to an approved full body harness with the factory installed carabiner. Do not use connection devices other than the factory installed carabiner.



**NOTE:** ANSI A14.3 and OSHA 1926.1053 states that the length of connection between the carrier and attachment point must not exceed 9 inches.

## 2.0 SYSTEM REQUIREMENTS

**2.1 COMPATIBILITY OF COMPONENTS AND SUBSYSTEMS:** This equipment is designed for use with Sur-Loc approved components and subsystems. The use of non-approved components and subsystems may jeopardize compatibility of equipment and could affect the safety and reliability of the complete system. Contact Sur-Loc if you have questions about compatibility of equipment.

## 3.0 OPERATION AND USE:

### 3.1 CONNECTING THE SUR-LOC ALUMINUM SAFETY RAIL DEVICE TO THE CARRIER RAIL:

**WARNING:** In situations where a fall hazard exists, use a back-up fall arrest system, such as a lanyard, to protect against a fall. Note: ANSI A14.3 Whereas two climbers but not more than four (average 250 lbs each) may be simultaneously utilizing the Sur-Loc safety system, only one climber is allowed between intermediate mountings.

- Step 1.** Ensure the device is correctly positioned relative to the carrier rail. The "up" arrow on the device must be pointing to the ascending direction (top).
- Step 2.** With one hand firmly grasp the device. With the free hand, disengage the spring loaded cam by raising the cam towards the "up" arrow.
- Step 3.** While holding the cam in the "up" position, align the slots in the device with the outer surface of the Sur-Loc aluminum rail at the open bottom of the Sur-Loc aluminum ladder or rail. Once the device is adequately attached to the Sur-Loc aluminum climbing ladder or rail, release the cam to lock the device onto the Sur-Loc aluminum ladder or rail.
- Step 4.** Position the device on the Sur-Loc aluminum ladder or rail in a comfortable position to attach the factory-installed, self-closing, self-locking carabiner (ANSI Z359.1-2007) to the climbing D-ring in the center of the chest on the full body safety harness. See Section 3.2 for information on connecting the Sur-Loc Aluminum Safety Rail Device to the full body safety harness.



**3.2 CONNECTING THE SUR-LOC ALUMINUM SAFETY RAIL DEVICE TO THE HARNESS:** Connect the device to the full body harness attachment point designated for ladder climbing. When connecting the Sur-Loc aluminum safety rail device to the full body safety harness, ensure the connection is compatible in size, shape, and strength. Use only the factory installed, self-closing, self-locking carabiner with this device! Do not substitute or add other connectors. Do not use other connecting devices such as a short lanyard, chain, link, or clevis. Connection between the device and full body harness may be made before or after the device has been installed onto the Sur-Loc carrier rail or safety ladder. Note: Connecting the device to the rail, at mid-chest level, prior to connecting the device to the harness is the preferred sequence of installation.

**ASCENDING:** To ascend the ladder, climb up normally. The Sur-Loc safety rail device will follow the climber.

**DESCENDING:** To descend the ladder, climb down smoothly while slightly leaning back to allow the cam to disengage. Climbing down out of position (leaning back excessively) will cause unnecessary friction which will make your descent cumbersome. If the cam locks, move upward slightly to release the cam and continue to descend the ladder.

When climbing is completed remove the Sur-Loc safety rail device from the ladder or rail by disengaging the Cam and sliding the device off the bottom of the rail system. The device can now be detached from the full body safety harness and properly stored.

Ensure all hazards are addressed to provide climber safety. Hazardous environments or conditions include, but are not limited to; power lines, heat or flame, explosive gases, physical obstructions, and climbers ability and health. If a fall occurs the employer must have a rescue plan and the ability to implement it. After a fall the Sur-Loc aluminum safety rail device must be returned to Sur-Loc for a complete safety inspection on the device before the device can be used as a fall protection device.

## 4.0 TRAINING

**4.1 TRAINING:** It is the responsibility of the user and purchaser of this equipment to assure they are familiar with these instructions, operating characteristics, application limits, and the consequences of improper use of this equipment. Users and purchasers of this equipment must be trained in the correct care and use of this equipment.

**IMPORTANT:** Training must be conducted without exposing the user to a fall hazard. Training should be repeated on a periodic basis. This safety device is designed to restrain a fall and to limit the travel of the device to less than 6" per ANSI 14.3-2008 section 7.3

**Step 1.** Properly equip the climber with a full body harness and attach to Sur-Loc aluminum safety ladder or rail and Sur-Loc aluminum safety rail device as instructed in section 3.0 of this instruction manual.

**Step 2.** Ascend the ladder to approximately three feet. With both hands and feet on the climbing structure, slightly lean back and flex knees in a quick sitting motion to simulate a fall. This will activate the braking cam in the Sur-Loc safety rail device.

**Step 3.** After the cam locks, move upward to unlock the cam. Repeat step 2 & 3 until training is satisfied.

**Step 4.** Descend the ladder and detach from the Sur-Loc aluminum safety rail device.

## 5.0 INSPECTION

### 5.1 FREQUENCY:

- **Before Each Use** inspect the Sur-Loc aluminum safety rail device according to sections 5.2 and 5.3.
- **Formal Inspection:** A formal inspection of the Sur-Loc aluminum safety rail device must be performed at least annually by a competent person other than the user. The frequency of formal inspections should be based on conditions of use or exposure. See sections 5.2 and 5.3. Record the inspection results in the inspection and maintenance log in section 8.0.
- **After a Fall:** The Sur-Loc aluminum safety rail device must be returned to Sur-Loc for a complete inspection prior to any further use.

### 5.2 INSPECTION GUIDELINES:

- Inspect the device body for bends, cracks, and deformities. All fasteners must be securely attached.
- Inspect the braking cam for smooth operation, ensuring it springs back into its locked position when released.
- Inspect the device body for wear on the inside where the rail passes through.

**5.3** *If inspection reveals an unsafe or defective condition, remove the Sur-Loc Climber's Buddy device from service and destroy or contact an authorized service center for repair. Record the results in inspection and maintenance log in section 8.0 of this manual.*

## 6.0 MAINTENANCE, SERVICING, STORAGE

The Sur-Loc aluminum safety rail device may be cleaned using commercial parts, cleaning solvents and rinsed with warm, soapy water. Light machine oil may be applied to moving parts if required. Do not use excessive oil or allow oil to contact cam clamping surfaces.

***Additional maintenance and servicing procedures must be completed by an authorized service center. Authorization must be in writing from a Sur-Loc authorized representative.***

Store the Sur-Loc Climber's Buddy device in a cool, dry, clean environment, out of direct sunlight. Avoid areas where chemicals vapors exist. Thoroughly inspect the device after extended storage.

## 7.0 TERMINOLOGY

**AUTHORIZED PERSON:** A person assigned by the employer to perform duties at a location where the person will be exposed to a fall hazard (otherwise referred to as "user" for the purpose of these instructions).

**RESCUER:** Person or persons other than the rescue subject acting to perform an assisted rescue by operation of a rescue system.

**CERTIFIED ANCHORAGE:** An anchorage for fall arrest, positioning, restraint, or rescue systems that a qualified person certifies to be capable of supporting the potential fall forces that could be encountered during a fall or that meet the criteria for a certified anchorage prescribed in this standard.

## **WARRANTY**

*Equipment offered by SUR-LOC is warranted against factory defects in workmanship and materials for a period of one year from date of installation or use by the owner, provided that this period shall not exceed one year from date of shipment. Upon notice in writing, SUR-LOC will promptly repair or replace all defective items. SUR-LOC reserves the right to elect to have any defective item returned to its plant for inspection before making a repair or replacement. This warranty does not cover equipment damages resulting from abuse, damage in transit, or other damage beyond the control of SUR-LOC. This warranty applies only to the original purchaser and is the only one applicable to our products, and is in lieu of all other warranties, expressed or implied.*

[www.swager.com](http://www.swager.com)

**8.0 INSPECTION AND MAINTENANCE LOG**

<b>SERIAL NUMBER:</b>	
<b>MODEL NUMBER:</b>	
<b>DATE PURCHASED:</b>	<b>DATE OF FIRST USE:</b>

<b>INSPECTION DATE</b>	<b>INSPECTION ITEMS NOTED</b>	<b>CORRECTIVE ACTION</b>	<b>MAINTENANCE PERFORMED</b>
Approved By:			
Approved By:			
Approved By:			
Approved By:			
Approved By:			
Approved By:			
Approved By:			
Approved By:			
Approved By:			
Approved By:			
Approved By:			
Approved By:			
Approved By:			
Approved By:			